



SSCS5817D1-SSCS5819D1

SSCS5817D1/ SSCS5818D1 / SSCS5819D1

Schottky Barrier Diode

● Features

- ✧ Low Forward Voltage Drop (VF)
- ✧ Better Efficiency and Cooler Operation
- ✧ Guard Ring Construction for Transient Protection

● PIN configuration



SOD-123



Circuit Diagram



Marking

(5817:SJ 5818:SK 5819:SL)

● Absolute maximum rating @T_A=25°C

Parameter	Symbol	5817D1	5818D1	5819D1	Unit
Non-repetitive Peak Reverse Voltage	V _{RM}				
Peak Repetitive Peak Reverse Voltage	V _{RRM}	20	30	40	V
Working Peak Reverse Voltage	V _{RWM}				
DC Blocking Voltage	V _R				
Average Rectified Output Current	I _O	1			A
Non-repetitive Peak Forward Surge Current @t=8.3ms	I _{FSM}	9			A
Power Dissipation	P _D	250			mW
Thermal Resistance Junction to Ambient (Typ)	R _{θJA}	170			°C/W
Operating Temperature	T _J	-55 ~ +125			°C
Storage Temperature	T _{STG}	-55 ~ +155			°C

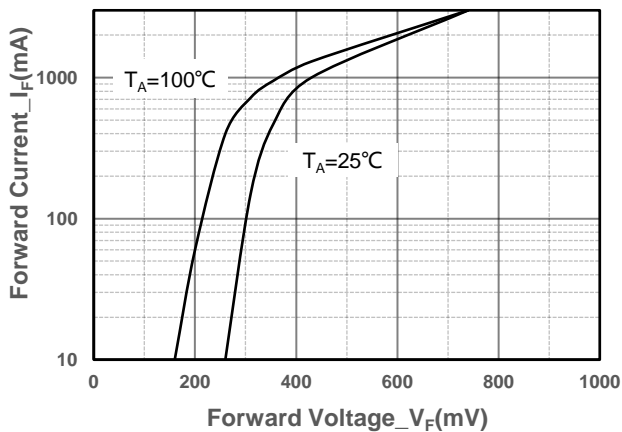


SSCS5817D1-SSCS5819D1

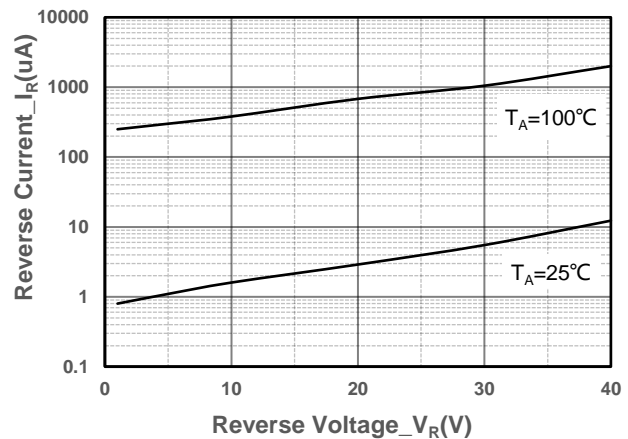
Electrical Characteristics @T_A=25°C

Parameter	Symbol	Conditions	Min.	Typ.	Max.	Unit
Reverse Voltage	V _R	I _R = 1mA	5817D1	20		V
			5818D1	30		
			5819D1	40		
Forward Voltage	V _F	I _F = 1A	5817D1		0.45	V
		I _F = 3A			0.75	
		I _F = 1A	5818D1		0.55	
		I _F = 3A			0.875	
		I _F = 1A	5819D1		0.6	
		I _F = 3A			0.9	
Reverse Current	I _R	V _R = 20V	5817D1	1		mA
		V _R = 30V	5818D1			
		V _R = 40V	5819D1			
Junction Capacitance	C _J	V _R = 4V, f = 1MHz			120	pF

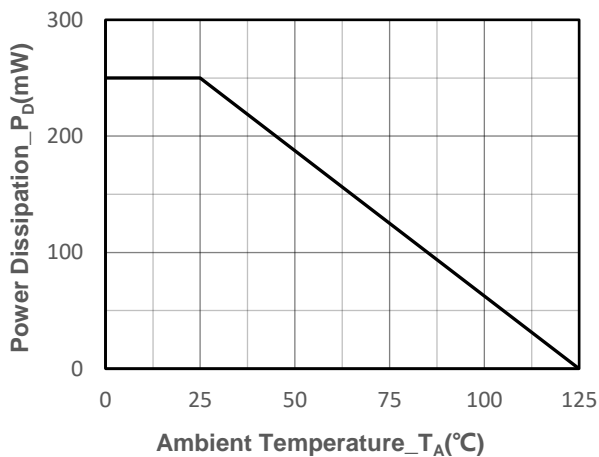
Typical Performance Characteristics



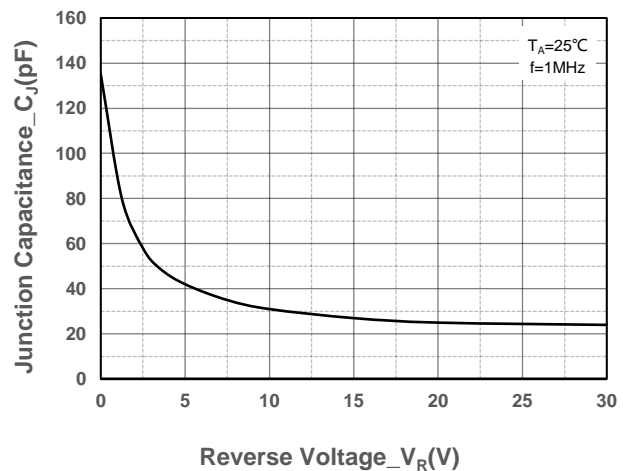
Forward Voltage vs. Forward Current



Reverse Voltage vs. Reverse Current



Power Derating vs. Ambient Temperature



Junction Capacitance vs. Reverse Voltage



SSCS5817D1-SSCS5819D1

● Package Information

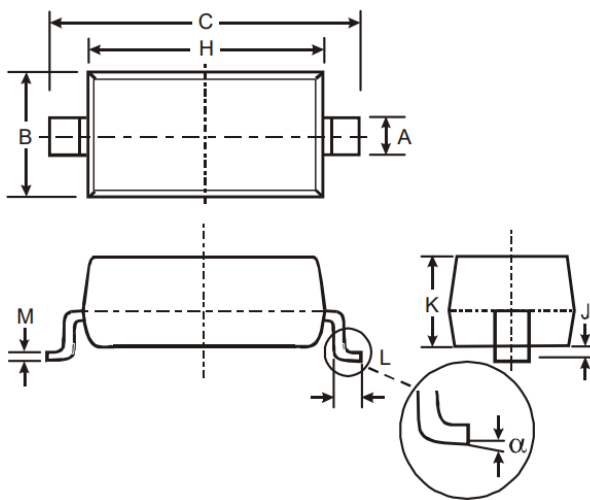
Ordering Information

Device	Package	Marking	Qty per Reel	Reel Size
SSCS5817D1	SOD-123	SJ	3000	7 Inch
SSCS5818D1	SOD-123	SK	3000	7 Inch
SSCS5819D1	SOD-123	SL	3000	7 Inch

Mechanical Data

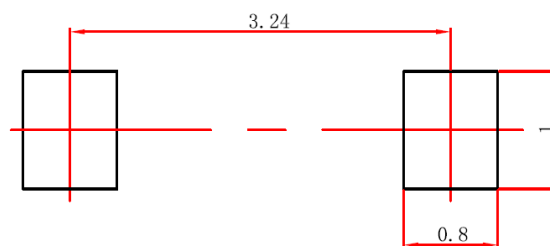
Case: SOD-123

Case Material: Molded Plastic. UL Flammability



DIM	Millimeters	
	Min	Max
A	0.45	0.65
B	1.50	1.70
C	3.55	3.85
H	2.6	2.8
J	0.00	0.10
K	1.05	1.15
L	0.25	0.45
M	0.08	0.15
α	0	8°

Recommended Pad outline (Unit:mm)





DISCLAIMER

SSCSEMI RESERVES THE RIGHT TO MAKE CHANGES WITHOUT FURTHER NOTICE TO ANY PRODUCTS HEREIN TO IMPROVE RELIABILITY, FUNCTION OR DESIGN. SSCSEMI DOES NOT ASSUME ANY LIABILITY ARISING OUT OF THE APPLICATION OR USE OF ANY PRODUCT OR CIRCUIT DESCRIBED HEREIN; NEITHER DOES IT CONVEY ANY LICIENCE UNDER ITS PATENT RIGHTS, NOR THE RIGHTS OF OTHERS.

THE GRAPHS PROVIDED IN THIS DOCUMENT ARE STATISTICAL SUMMARIES BASED ON A LIMITED NUMBER OF SAMPLES AND ARE PROVIDED FOR INFORMATIONAL PURPOSE ONLY. THE PERFORMANCE CHARACTERISTICS LISTED IN THEM ARE NOT TESTED OR GUARANTEED. IN SOME GRAPHS, THE DATA PRESENTED MAY BE OUTSIDE THE SPECIFIED OPERATING RANGE (E.G. OUTSIDE SPECIFIED POWER SUPPLY RANGE) AND THEREFORE OUTSIDE THE WARRANTED RANGE.

OUR PRODUCT SPECIFICATIONS ARE ONLY VALID IF OBTAINED THROUGH THE COMPANY'S OFFICIAL WEBSITE, CRM SYSTEM, OR OUR SALES PERSONNEL CHANNELS. IF CHANGES OR SPECIAL VERSIONS ARE INVOLVED, THEY MUST BE STAMPED WITH A QUALITY SEAL AND MARKED WITH A SPECIAL VERSION NUMBER TO BE VALID.